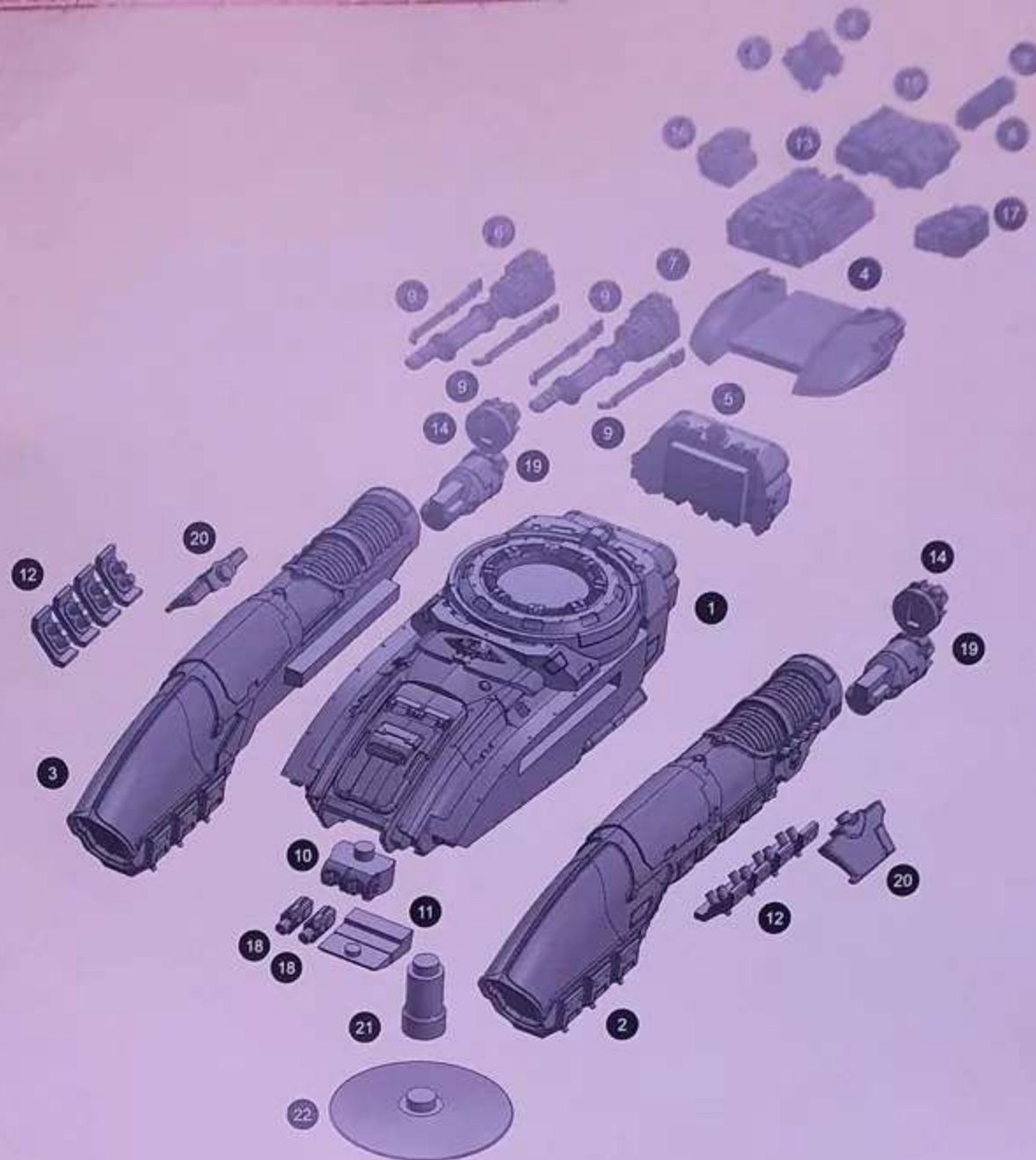


Components

Before assembly, check that none of the components are missing.

1. Hull
2. Left Nacelle
3. Right Nacelle
4. Turret
5. Generator
6. Right Arachnus Heavy Blaze Cannon
7. Left Arachnus Heavy Blaze Cannon
8. Coolant Flask x4
9. Cannon Bracing x4
10. Chin Turret
11. Chin Turret Cover
12. Grav-plate x8
13. Collimator
14. Thruster x2
15. Focusing Chamber
16. Right Photonic Accelerator
17. Left Photonic Accelerator
18. Lastrum Bolt Cannon x2
19. Engine x2
20. Control Surface x2
21. Flying Stand Support
22. Flying Stand Base



Assembly Legend

Parts for Assembly



Glue Contact Area



Note



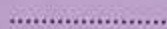
Reverse Angle



Do Not Glue



Insert



Component Highlight



Preparing the Model for Assembly

Before assembling the model, wash each part thoroughly with an abrasive brush, such as a toothbrush, to remove any model release agent that may still be on the surface of the parts. Then, remove any excess resin such as mould lines, casting gates, vents and shims. For a more detailed guide to working with resin models, go to the Downloads section of the Forge World website.

This kit contains all the pieces required to construct a Caladius Grav-tank Annihilator. To glue the resin pieces together, use Citadel Super Glue.

NOTE: We have cast this kit using advanced techniques and the best quality resin, but due to the nature of the casting process, your model may contain small air bubbles. These can easily be filled with model filler or super glue. Any slight warpage of thin parts can easily be corrected by immersing the part in hot tap water for about 1 minute, then carefully bending it back into shape.

If you need to contact the Forge World Customer Service team regarding this model, you can get in touch via email - forgeworld@gwplc.com - or call:

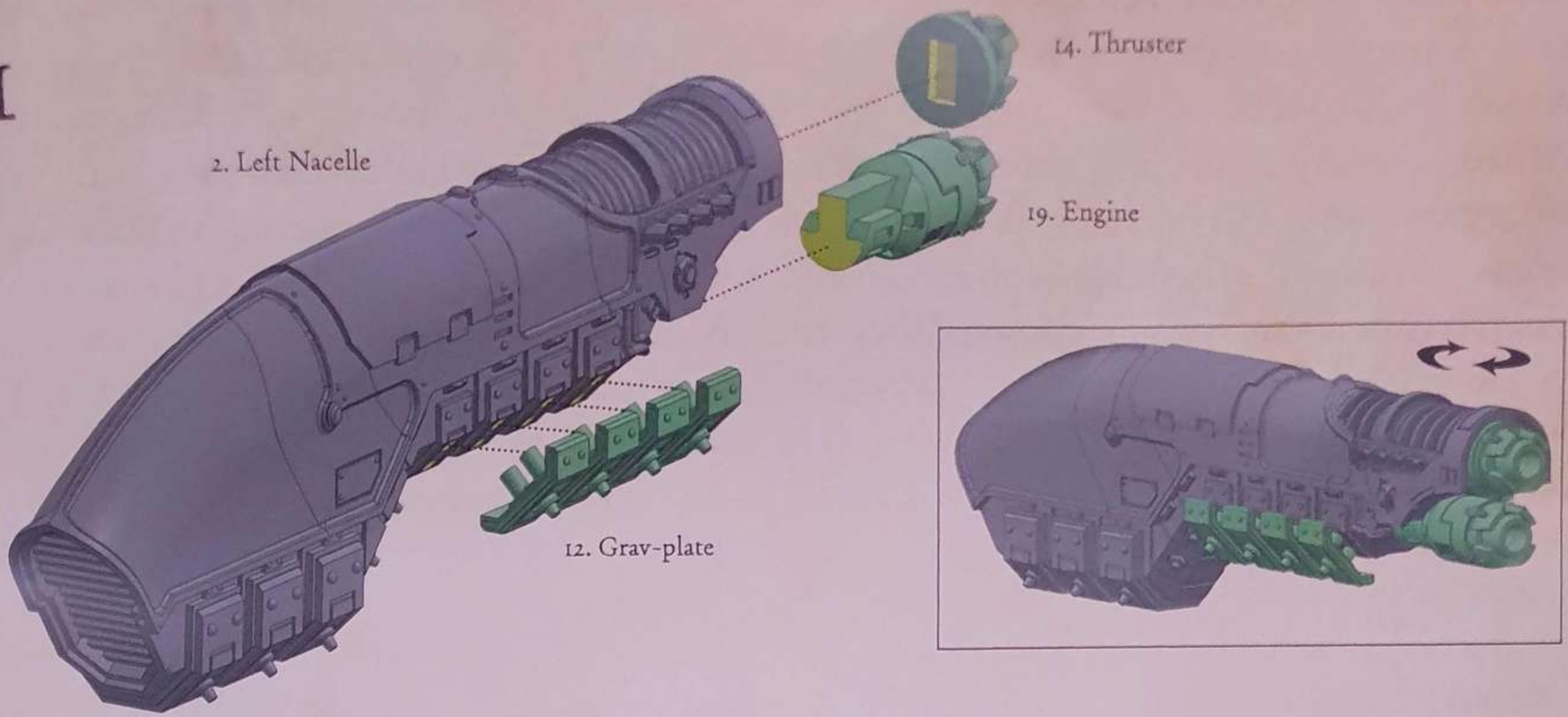
0115 900 4995 within the UK

011 44 115 900 4995 from the USA and Canada

0011 44 115 900 4995 from Australia

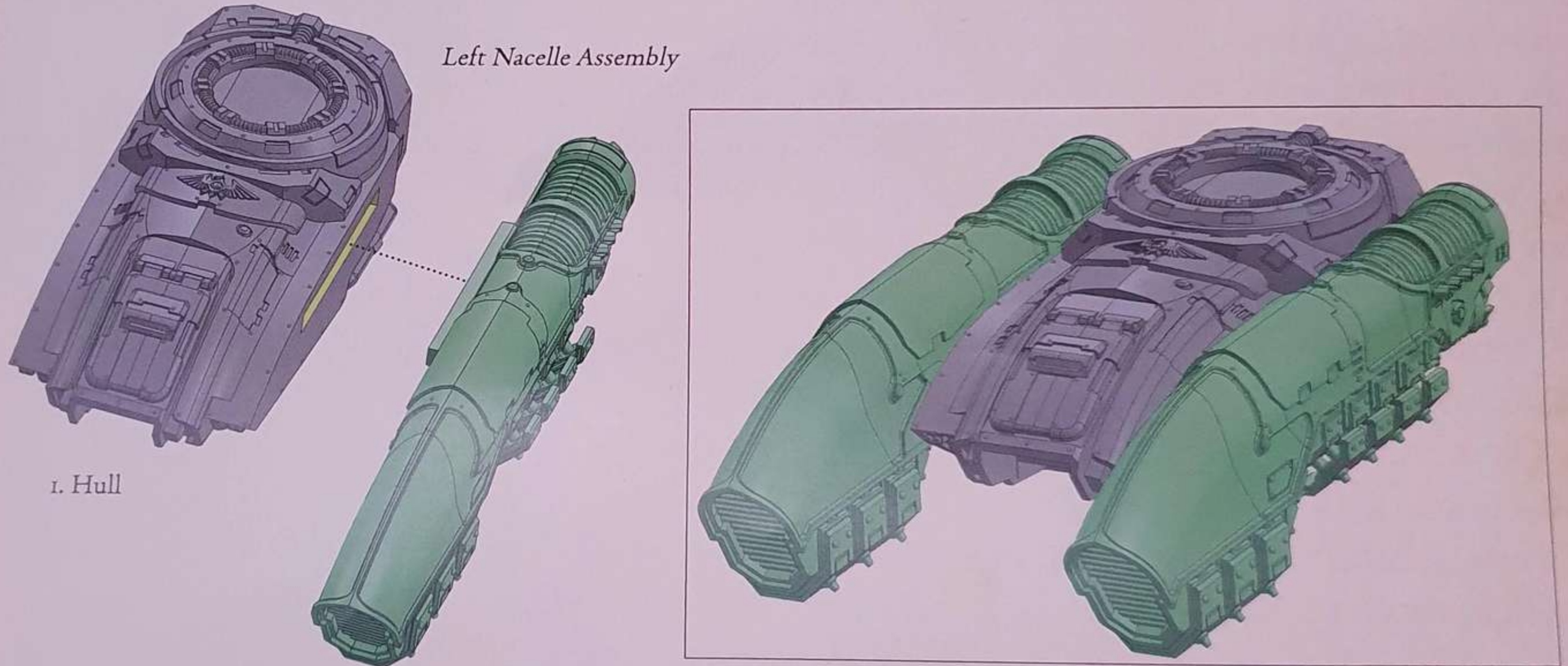
00 44 115 900 4995 from Europe and the rest of the world

I



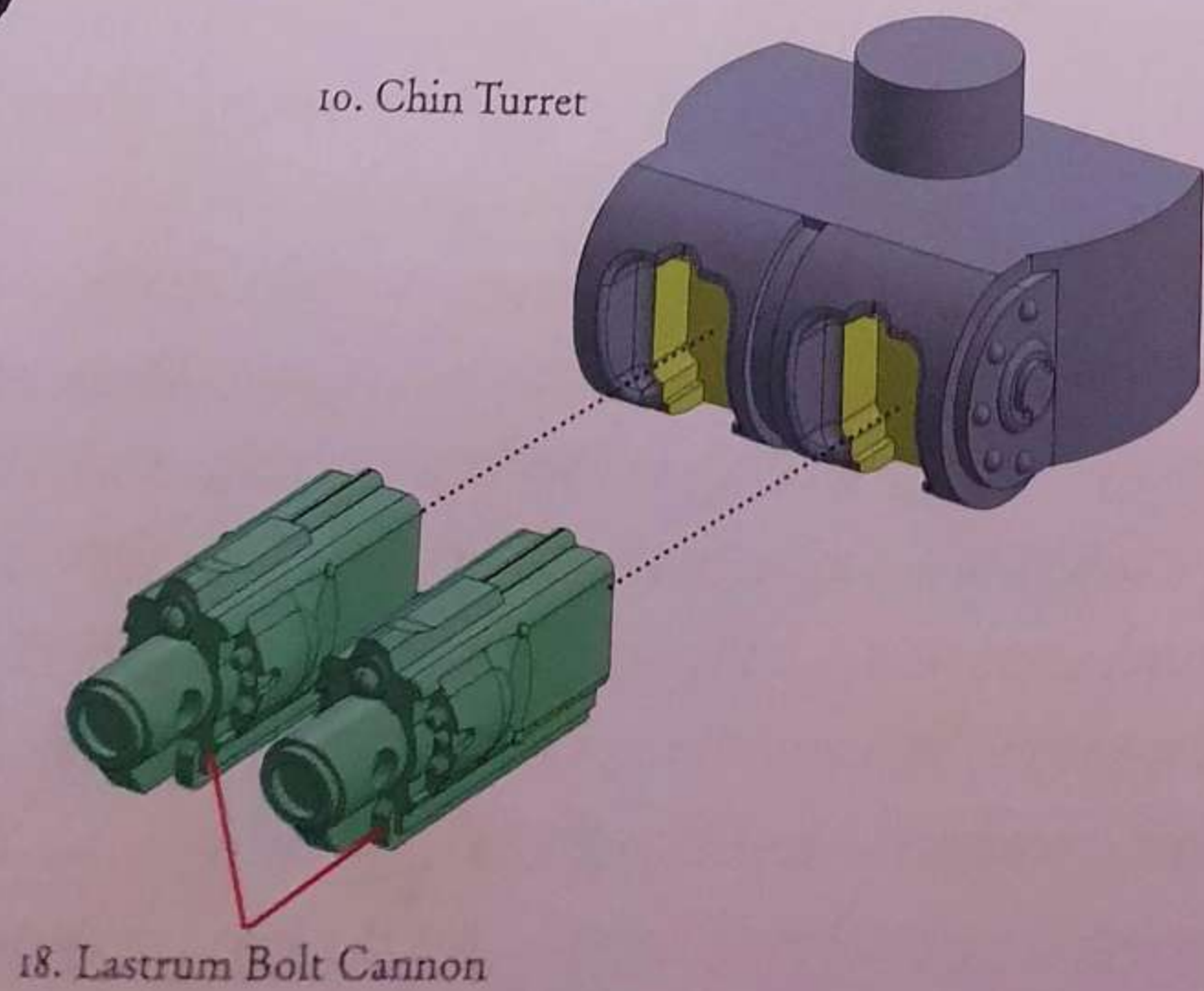
! Repeat stage 1 for part 3. Right Nacelle, 12. Grav-plates, 14. Thruster and 19. Engine.

2

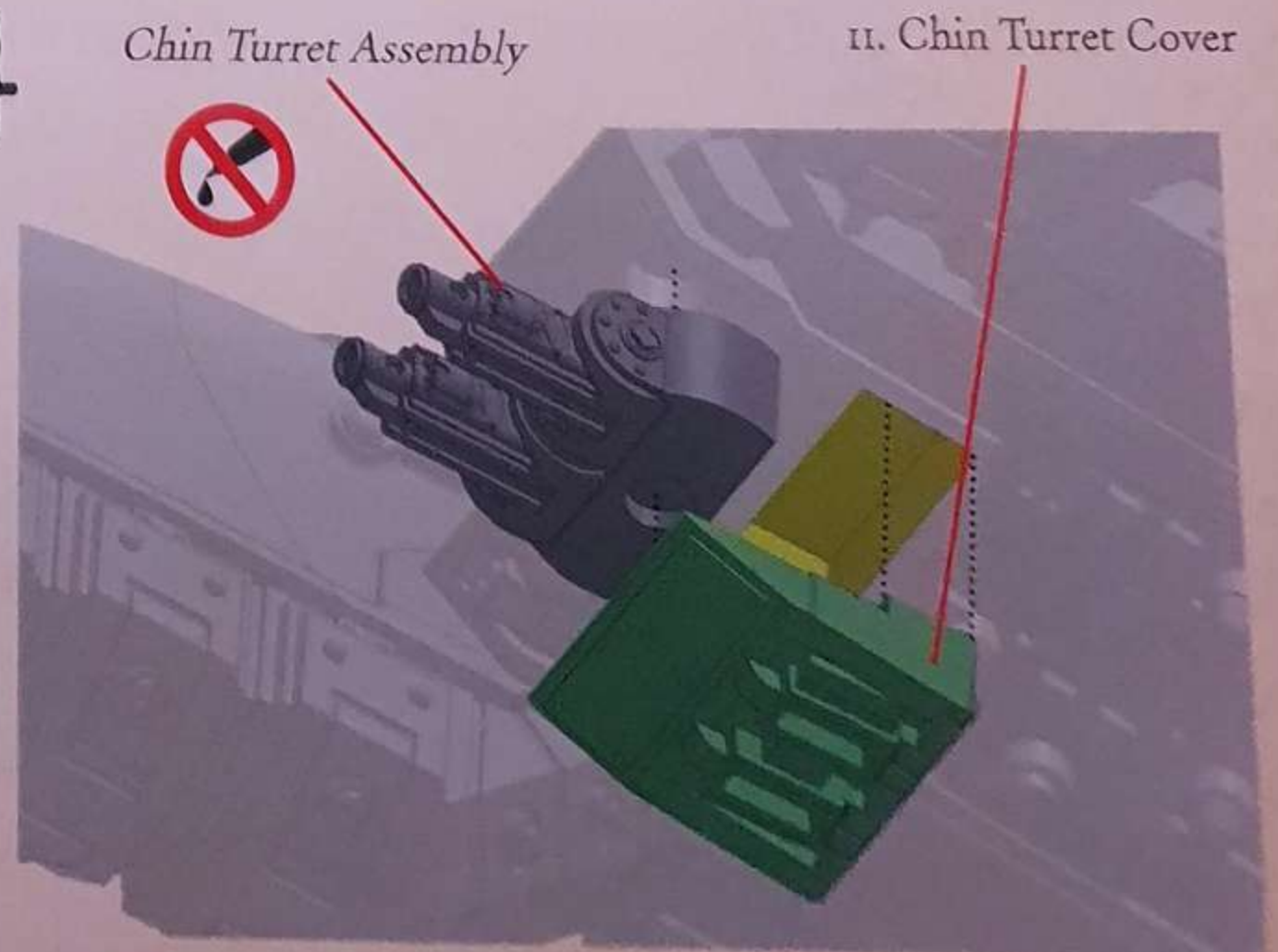


! Add both the Left and Right Nacelle Assemblies

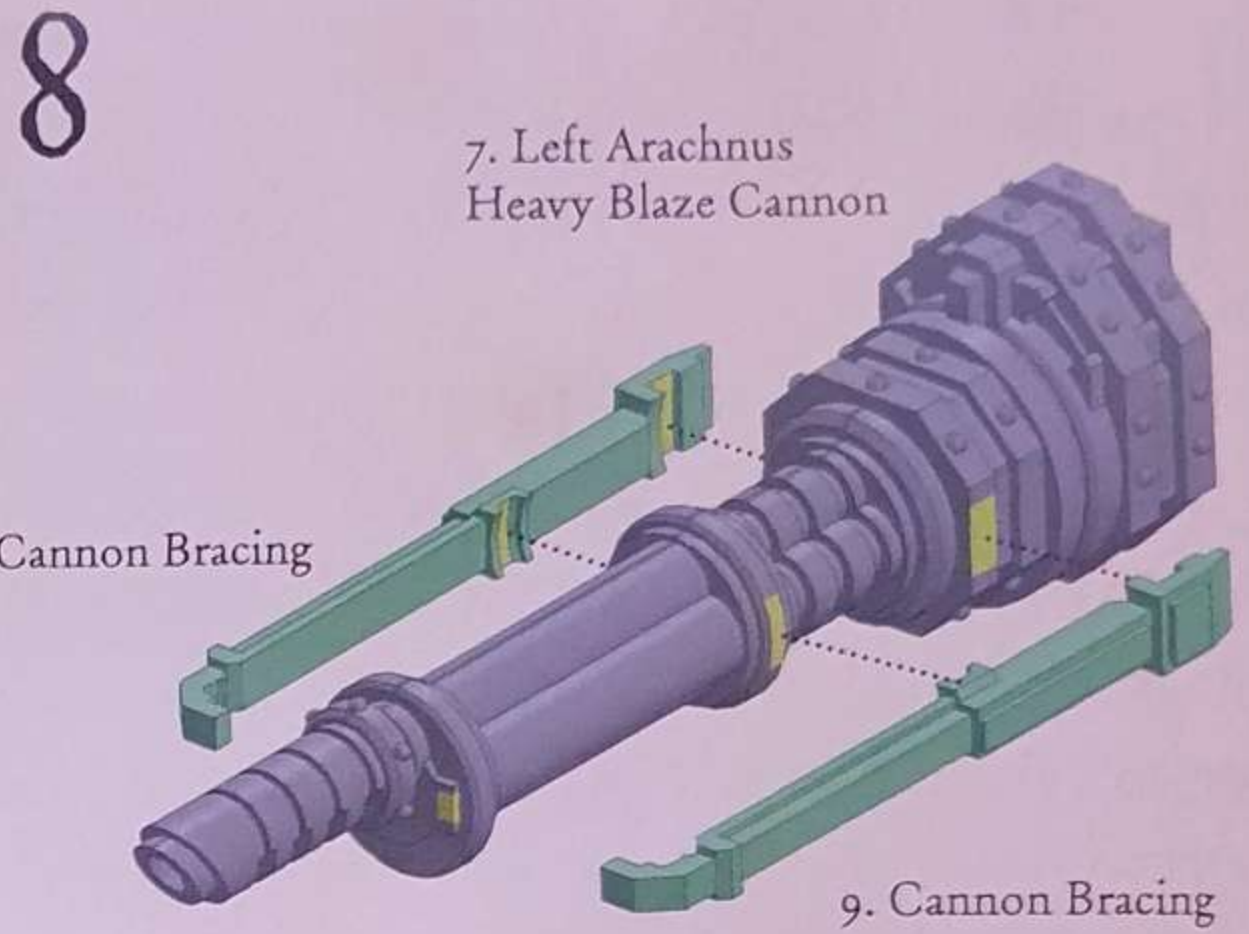
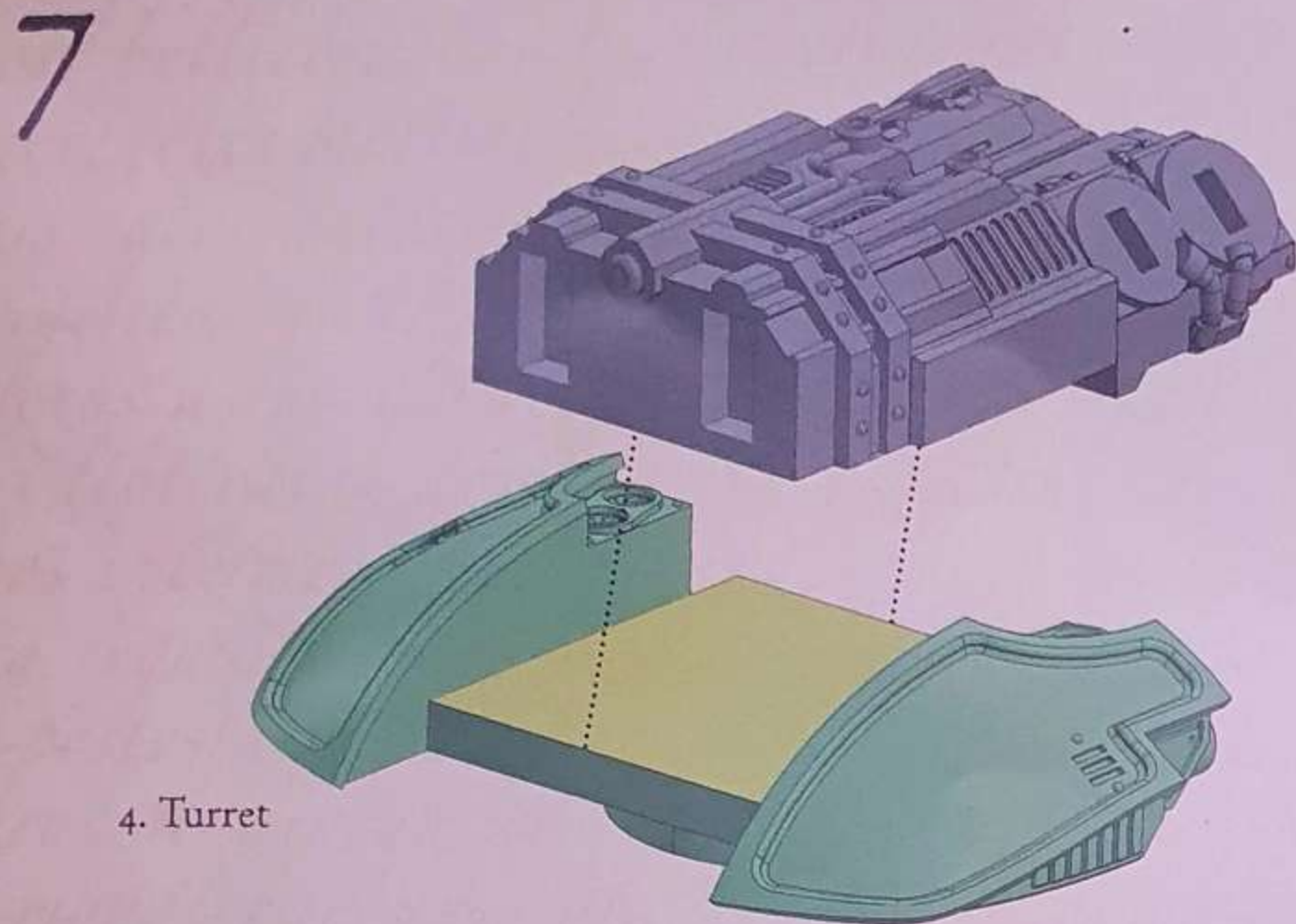
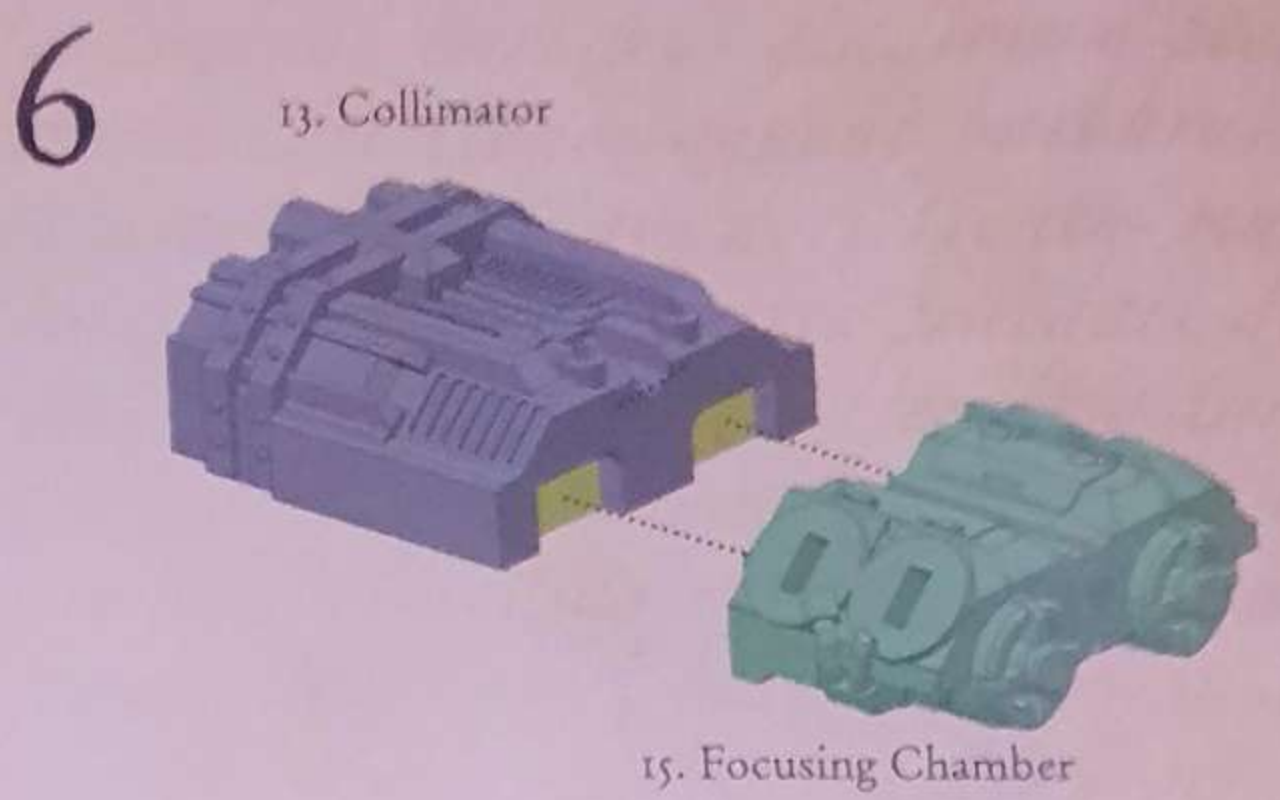
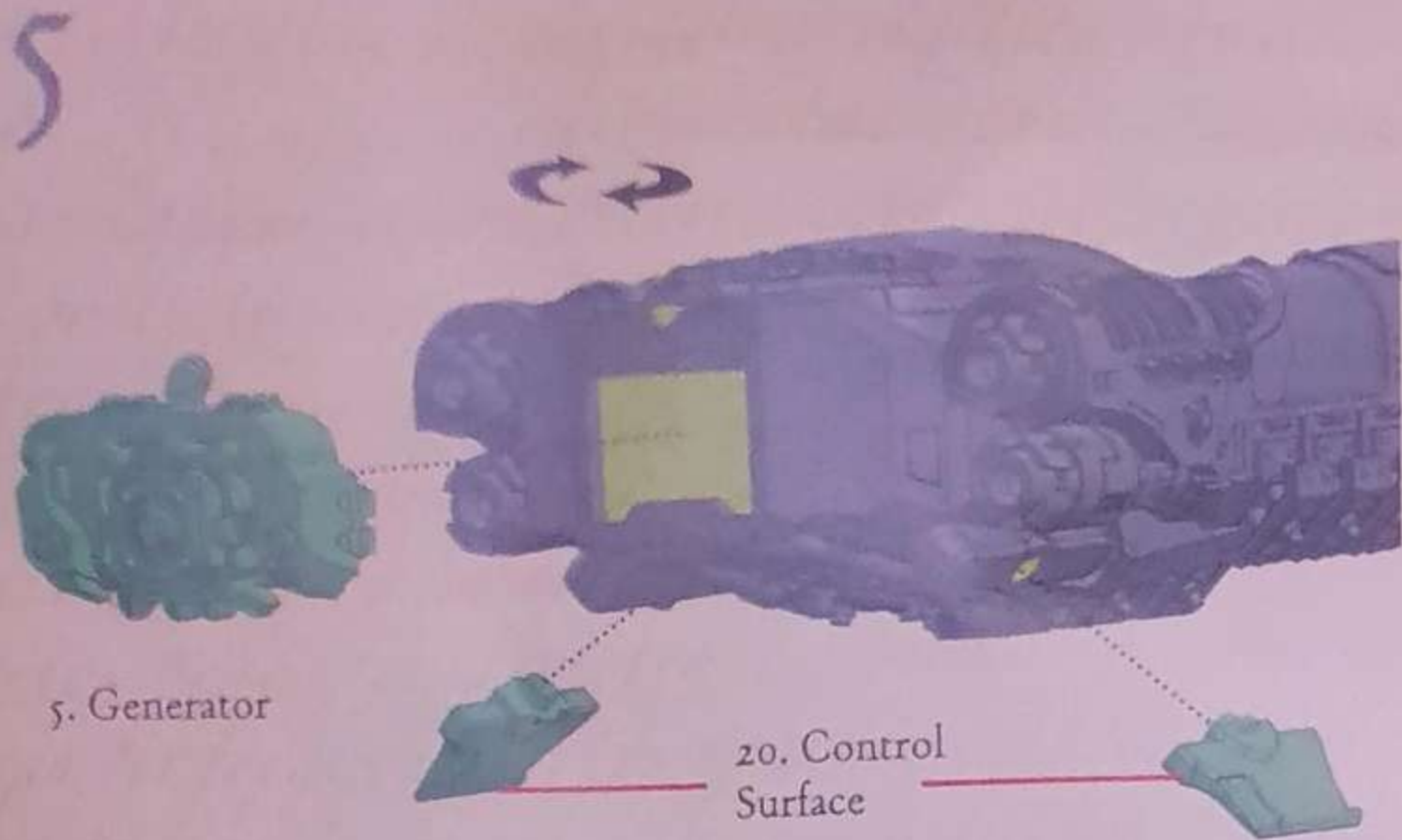
3



4



! Sandwich the Chin Turret Assembly between 11. Chin Turret Cover and the Hull Assembly.



! Repeat stage 8 using part 6. Right Arachnus Heavy Blaze Cannon and part 9. Cannon Bracing x2.

